

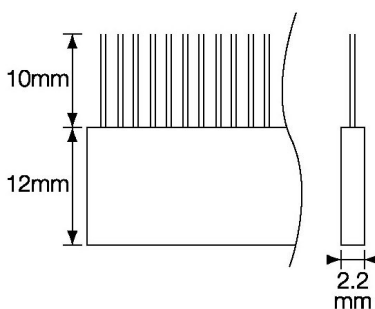
SELF-IONISING

660 STATIC DISCHARGERS

The 660 is a compact static discharger used to neutralise static electricity on countless types of machines including: paper handling, packaging, labelling, coding and printing.

Simple and effective static elimination. Low cost and versatile.

- > The stainless steel filament does not scratch - it has the softness of sewing cotton. The filaments have an EVA size giving them flexibility, resilience and a long life.
- > The 660 is available in 1m lengths, which are easy to cut to size by customer. For larger quantities they can be custom-made with fixing holes etc. as required.



How they work:

The brushes have a large number of highly conductive fibres. Positioned a few millimetres from the material to be neutralised, the fine tips of the fibre concentrate the electric field of the static charge and ionise the air. Ionised air provides ions of the opposite polarity to neutralise the static charge.

If the fibre tips touch the material the neutralisation may be more powerful if there is some conduction of the charge in addition to ionisation.

- | | |
|----------------------|--|
| Fibre: | Stainless steel filament with diameter of 12 μ in bundles of 250 filaments at 1.5mm pitch. |
| Construction: | Aluminium body 12mm x 2.2mm. Can be cut to required length. |
| Installation: | Fixing holes can be drilled in the aluminium body. |